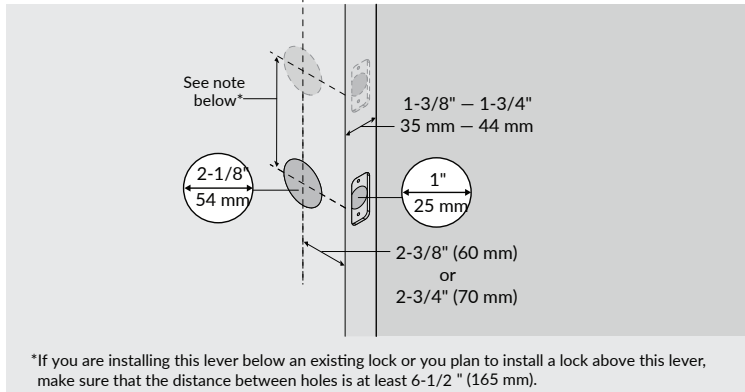


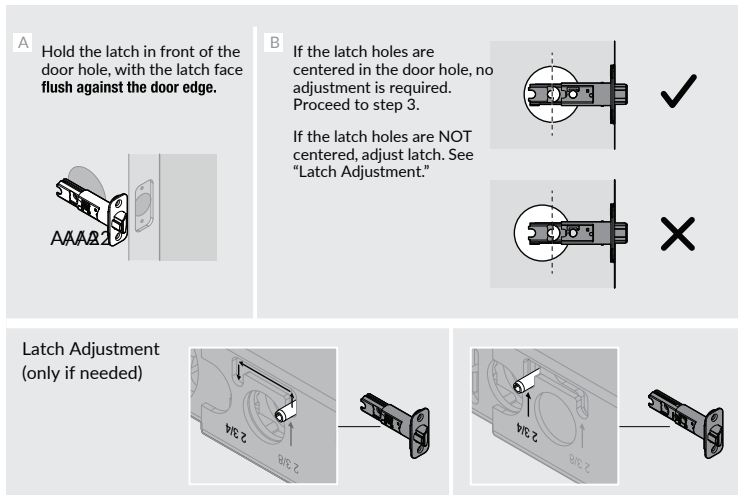
# Installation Kwikset Door Lever

Need help? Give us a call.  
1-877-826-5443

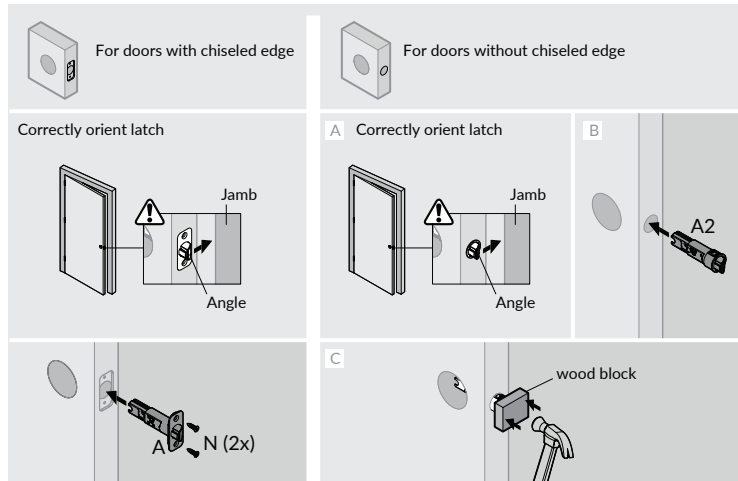
## STEP 1 - Check dimensions



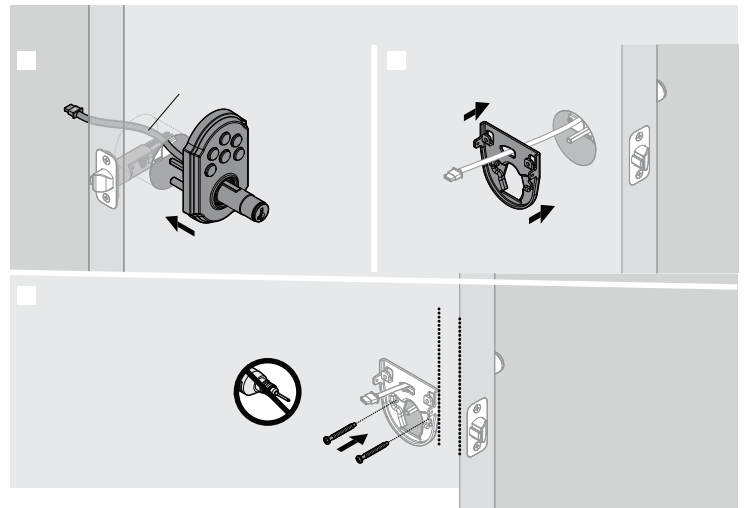
## STEP 2 - Adjust the backset of latch (if needed)



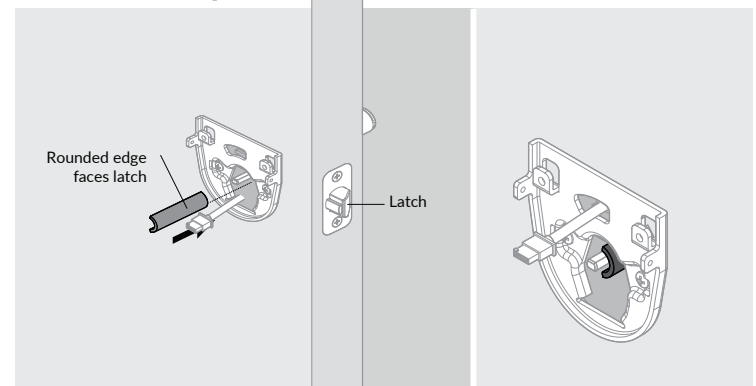
## STEP 3 - Install the latch



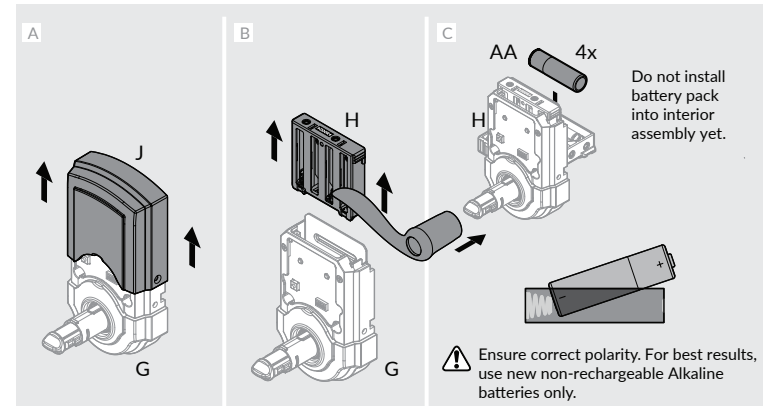
## STEP 4 - Install keypad and mounting plate



## STEP 5 - Install spindle



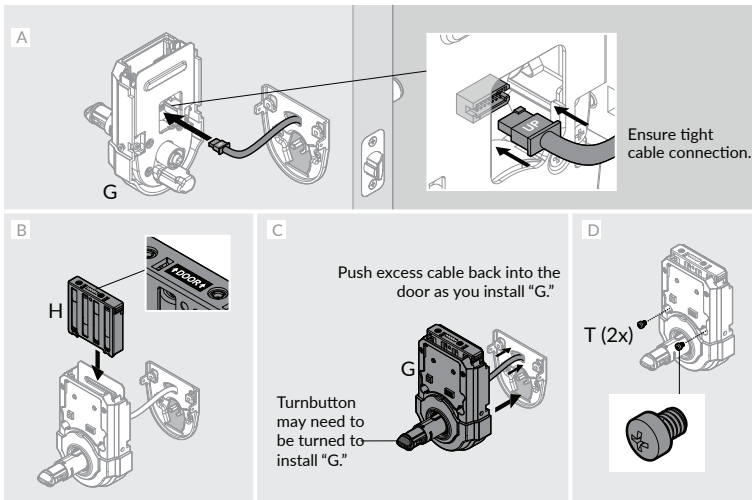
## STEP 6 - Disassemble interior assembly and load battery pack



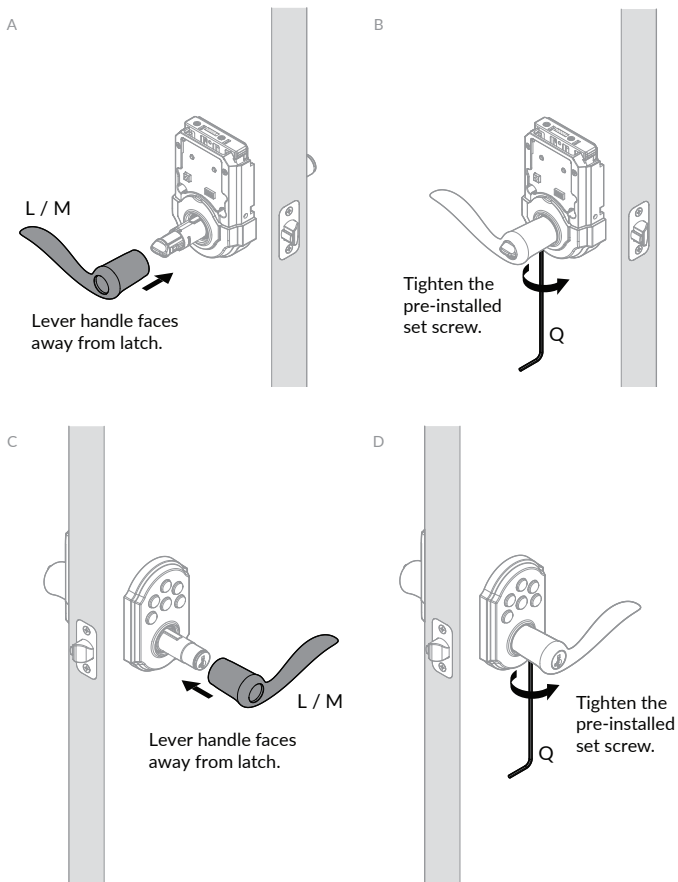
# Installation Kwikset Door Lever

Need help? Give us a call.  
1-877-826-5443

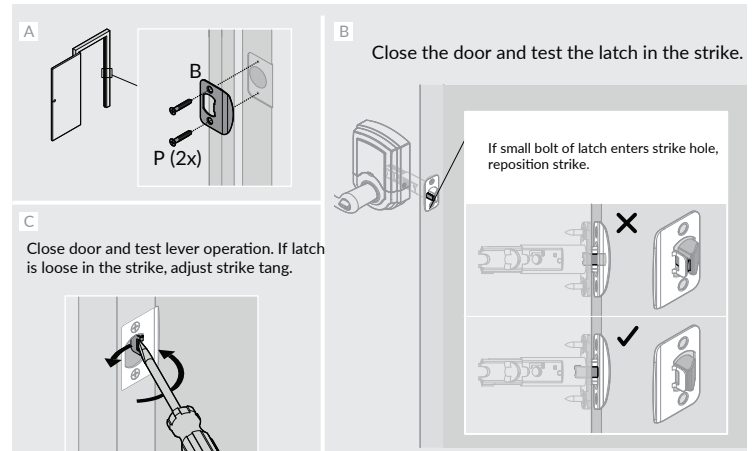
## STEP 7 - Install interior assembly



## STEP 9 - Install lever



## STEP 10 - Install the strike



## STEP 11- Program the lock using the manufacturer's instructions

