

# PIR1-345 Motion Sensors

Need help? Give us a call.  
1-877-826-5443

## Setup

### STEP 1

First, remove the screw from the bottom of the case and open the unit (fig 1-2).

Configure the pet immunity by placing the jumper to the appropriate setting depending on the size of your pet (fig 3).

**Note:** Make sure not to mount or aim the unit where pets can come within six feet of it by climbing on furniture, boxes, stairs, or other objects.

### STEP 2

If the area you mount the motion detector requires the use of a bracket, see the included operating instructions for the correct steps (fig 4-5). Also, refer to the included operating instructions to program the sensor.

### STEP 3

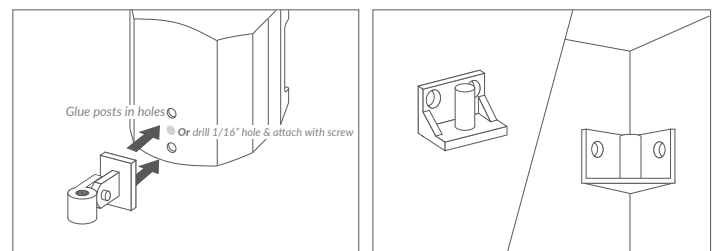
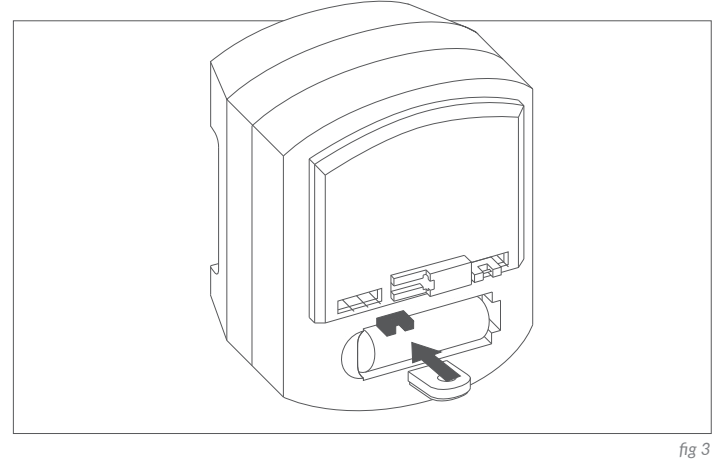
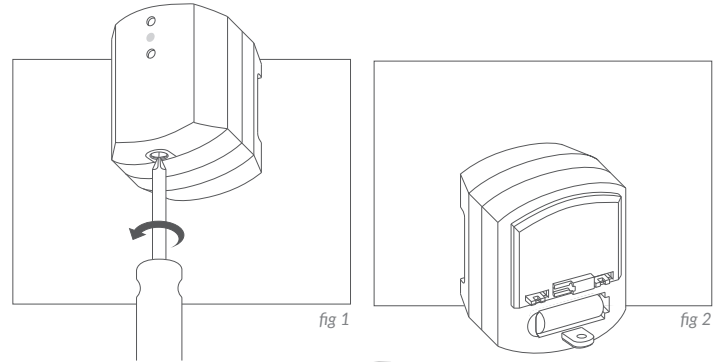
Mount the unit so its center is mounted 7.5 to 8 feet above floor level. Once the unit is mounted, walk through the sensor's coverage area and listen for the sensor name to be announced at the panel.

### STEP 4

If the sensor did not trigger, raise it either up or down on the bracket. The bracket will allow multiple vertical positions. After 3 minutes, try to trigger the sensor again. Repeat until the sensor is picking up activity in the desired areas of the room.

**Note:** In order to save battery power, the motion sensor rests for 3 minutes after sending a signal before sending a signal again. While you are testing your sensor, please keep in mind this 3-minute resting period.

**Hint:** Do not install where motion sensor faces windows, fireplaces, or heat vents.



Option 1: Attach the bracket to the sensor back using a small amount of glue on the posts.

Option 2: Remove the sensor back and pilot a 1/16" hole in the indentation between the post holes. Then attach the bracket with the small set screw from the interior side.